

Rohnson[®]

CERAMIC KETTLE

R-7810 & R-7814 Wood&Stone



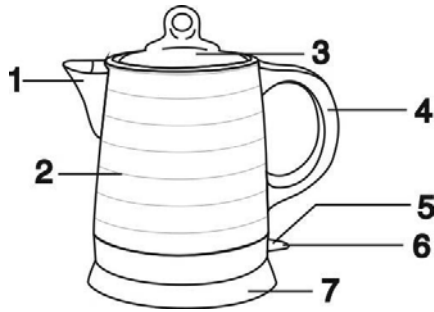
INSTRUCTION MANUAL

Electric Kettle R-7810 & R-7814

Wood&Stone

PARTS IDENTIFICATION

- 1. Spout
- 2. Body
- 3. Lid
- 4. Handgrip
- 5. Switch
- 6. Indicator Light
- 7. Base



SPECIFICATION

Product model	Rated Voltage	Rated Frequency	Rated Power	Rated Capacity
R-7810 & R-7814 Wood&Stone	220V-240V~	50-60Hz	1200W	1.0L

BEFORE USING YOUR NEW KETTLE

Congratulations on the purchase of your Porcelain Kettle. Before using this appliance for the first time, please read this instruction booklet carefully and keep it for future reference. Pass it on if you pass on the appliance.

When using electrical appliances, basic safety precautions should always be followed, including but not limited to the following:

IMPORTANT SAFEGUARDS

- 1. To protect against electrical hazards do not immerse the power cord, plug, power base, or kettle in water or any other liquid.
- 2. Do not use in the bathroom or near any source of water. Do not use outdoors.
- 3. Always use the appliance handles as some parts may be hot.
- 4. This appliance is not intended for use by persons (including children) with reduced physical, sensory or mental capabilities, or lack of experience and

- knowledge, unless they have been given supervision or instruction concerning use of the appliance by a person responsible for their safety.
5. Always turn off and unplug from the wall power outlet before cleaning the appliance.
 6. Turn the power off at the wall power outlet when not in use.
 7. To disconnect, turn off the wall power outlet, then grasp and pull the plug from the wall outlet. Never pull by the cord.
 8. Do not operate this appliance with a damaged cord/plug or after the appliance has malfunctioned or been dropped or damaged in any manner. It must be repaired by a qualified person in order to avoid a hazard.
 9. There are no user serviceable parts. If power cord is damaged, it must be replaced by the manufacturer or similarly qualified person in order to avoid a hazard.
 10. Do not use on an inclined plane or unstable surface.
 11. Do not move the kettle while it is switched on.
 12. Ensure the lid is properly closed when in use.
 13. Do not open the lid while the water is heating or boiling.
 14. Always take care when pouring. Pour slowly, do not over-tilt the kettle.
 15. The scalding hazard remains long after the water has boiled. Keep the kettle, power base, and the power cord away from the edge of tables or countertops and out of reach of children or infirm persons.
 16. Only use the kettle with the power base provided and vice versa.
 17. Wind excess cable beneath the power base.
 18. Do not place on or near any heat sources.
 19. Do not use this appliance for other than its intended purpose of heating water.
 20. Do not switch on the kettle unless there are at least two cups of water.
 21. Do not fill past 'max', otherwise boiling water may spit from the spout.
 22. Do not move while the kettle is switched on.
 23. Do not leave the product unattended when in use or where it may be touched by children or infirm persons.
 24. Do not use alkaline cleaning agents or harsh abrasives when cleaning this appliance. Follow the instructions in the 'Care and maintenance' section when cleaning this appliance.

IMPORTANT SAFEGUARDS (cont)

25. This appliance is not a toy. Children should be supervised to ensure they do not play with the appliance.

26. This appliance is not intended to be operated by means of an external timer or separate remote-control system.
27. De-scale the kettle regularly to ensure proper operation.
28. CAUTION: Do not operate the kettle on an inclined plane.
29. Do not operate the kettle unless the element is fully immersed.
30. This appliance is not suitable for use in farmhouses, by clients in hotels, motels and other residential type environments, bed-and-breakfast type environments.
31. If the supply cord is damaged, it must be replaced by the manufacturer, its service agent, or similarly qualified persons in order to avoid a hazard.

THIS APPLIANCE IS FOR HOUSEHOLD USE ONLY

Before Use

Before switching on, make sure that the voltage of your supply is the same as indicated under the kettle. Positioning - put the power base on a stable, level surface. Unfurl power cord from under base.

Route the cable so it does not overhang and cannot be caught or tripped over.

The kettle should be filled to the maximum mark and boiled 2 or 3 times. The boiled water should be discarded, and the kettle should be rinsed out with cold water (If the water is very hard, a powdery deposit may form, or the water appears cloudy. This is a normal calcium build-up, and in no way harmful.)

Filling

Caution: If the kettle has just boiled it will be full of steam. Keep hands clear as steam will escape from the kettle when opening the lid.

Remove the kettle from the power base.

Lift the lid carefully to allow any leftover steam to escape

Fill the kettle with at least 2 cups of water. Do not fill above the 'max' line. If overfilled, the kettle may spit boiling water.

Replace the lid ensuring a proper seal is achieved.

Switching on

Plug the power base into a wall power outlet. Place kettle on flat and stable surface Place the kettle on the power base – take care not to spill any water.

Place the kettle onto the base and plug in, turn on the switch and indicator light will come on, the kettle will start heating.

Caution: Keep clear, as steam will escape from the spout when boiling. Do not remove the kettle when in the heating cycle.

Once the water has boiled the kettle will switch off and the indicator light will turn off. Remove the kettle from the base and carefully pour water.

If you want to reboil the water, turn on the switch after one minute to avoid any malfunction. Please ensure that there is sufficient water in the kettle.

When not using, turn off power at the outlet and place kettle on base.

Switching off

When the water boils, the kettle will switch itself off.

To switch off manually, lift the switch or lift the kettle off the power base.

General

Always lift the kettle by the handle to pour – the sides may be very hot. To avoid the risk of splashing, pour slowly and do not over-tilt the kettle. Do not tilt the kettle backwards.

There may be some discolouration on the floor of the kettle. This is due to the bonding of the element to the kettle floor.

Using with insufficient water

Using the kettle with insufficient water will shorten the life of the element.

If the kettle is accidentally switched on when it does not contain sufficient water, a boil-dry cut-out will switch the kettle off.

To prevent the kettle cycling on and off, remove it from the power base.

Sit the kettle on a stable heat resistant surface until it has fully cooled down. Do not fill the kettle with water until it is cold, or it may spit.

Care and maintenance

Check that the kettle is switched off by lifting the switch. Unplug the power base from the wall power outlet.

Let the kettle cool down fully.

Wipe over the outside of the kettle and power base with a damp cloth. A mild (dishwashing) detergent may be used if required.

Keep all connectors and sockets dry.

Do not put the kettle or power base in liquid or dishwasher. Do not use harsh or abrasive cleaning agents or solvents. De-scale regularly – Even in soft water areas

Descaling The Kettle

Use a de-scaler suitable for plastic products (most kettles have some plastic parts). Follow the instructions provided with the de-scaler.

Alternatively, you may use white vinegar. Fill the kettle with half a liter of vinegar and leave it to stand for 1 hour without heating.

Citric acid can also be used. Boil a liter of water, add 25g of citric acid and leave it to stand for 15 minutes.

After de-scaling, rinse several times, fill, boil and discard the water to

remove all chemical residues.

IMPORTANT: DO NOT use other descalents such as those based on either formic or sulfamic acid.

TROUBLE SHOOTING

If the kettle fails to operate, check if the cord is plugged in correctly or if the electricity supply is on or if the kettle is placed properly into the base.

If the kettle boiled dry, the safety cut-out device will operate. Please wait for the kettle to cool down and refill with water. Press the switch on and the kettle will automatically reset itself and start to boil. If the kettle switches off before boiling: It means the kettle needs descaling. Refer to Descaling the Kettle above.



IMPORTANT INFORMATION FOR CORRECT DISPOSAL OF THE PRODUCT IN ACCORDANCE WITH EC DIRECTIVE 2002/96/EC.

At the end of its working life, the product must not be disposed of as urban waste. It must be taken to a special local authority differentiated waste collection centre or to a dealer providing this service.

Disposing of a household appliance separately avoids possible negative consequences for the environment and health, deriving from inappropriate disposal and enables the constituent materials to be recovered to obtain significant savings in energy and resources. As a reminder of the need to dispose of household appliances separately, the product is marked with a crossed-out wheeled dustbin