

*Rohson*<sup>®</sup>

Instructions Manual

## Contact Grill R-2316BR



**For your safety and continued enjoyment of this product  
Always read the instruction book carefully before using**

## IMPORTANT SAFEGUARDS

- READ ALL INSTRUCTIONS
- Use only on AC 220-240 Volt, Use only for household.
- Do not touch hot surfaces. Use handle or knobs.
- To protect against risk of electric shock, do not immerse the cord, plug or cooking unit in water or any other liquid.
- Close supervision is necessary when any appliance is used by or near children.
- Unplug from outlet when not in use and before cleaning. Allow to cool before putting on or taking off parts, and before cleaning the appliance.
- Do not operate the appliance if it has malfunctioned or has been damaged in any manner. In order to avoid the risk of an electric shock, never try to repair the appliance yourself. Take it to an authorized service station for examination and repair. Incorrect reassembly could present a risk of electric shock when the Grill Toaster is used.
- The use of accessory attachments not recommended by the manufacturer may result in fire, electrical shock, or risk of injury.
- Do not use outdoors or for commercial purposes.
- Do not let the power cord hang over the edge of the table or counter, or touch hot surfaces.
- Do not place on or near a hot gas, electric burner or heated oven.
- Unplug the unit when finished using it.
- Do not use the appliance for other than intended use.
- Not intended to operate by an external timer or separate remote-control system.
- Extreme caution must be exercised when moving an appliance containing hot oil or other hot liquids.
- This appliance can be used by children aged 8 years and above and persons with reduced physical, sensory or mental capabilities or lack of experience and knowledge if they have been given supervision or instruction concerning the use of the appliance in a safe way and understand the hazards involved. Children shall not play with the appliance. Cleaning and user maintenance shall not be made by children unless they are older than 8 and supervised.
- Keep the appliance and its cord out of reach of children less than 8 years.
- The temperature of accessible surfaces may be high when the appliance is operating.
- The appliances are not intended to be operated by an external timer or separate

remote-control system.

- CAUTION: hot surface.
- If the supply cord is damaged, it must be replaced by the manufacturer, its service agent or similarly qualified persons in order to avoid a hazard.

### **Caution:**

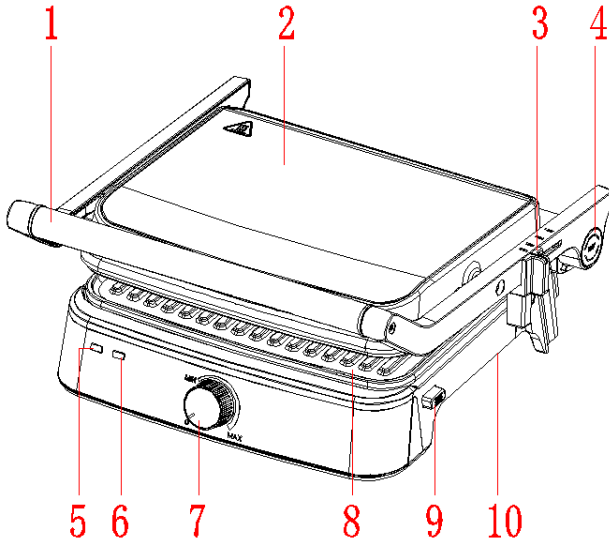
- The grilling surfaces as well as the sides and top of the appliance get very hot. Avoid any contact. Danger of burning! Only hold by the handle.
- The appliance must always be positioned horizontally during use.
- If the supply cord is damaged, it must be replaced by the manufacturer, its service agent or a similarly qualified person in order to avoid a hazard.
- Do not immerse the appliance in any liquid.
- The temperature of accessible surfaces may be high when the appliance is operating.
- WARNING: Charcoal or similar combustible fuels must not be used with this appliance.

**WARNING: TO REDUCE THE RISK OF FIRE OR ELECTRIC SHOCK, ONLY AUTHORIZED PERSONNEL SHOULD DO REPAIRS.**

### **SAVE THESE INSTRUCTIONS FOR HOUSEHOLD USE ONLY**

To reduce the risk of electric shock this appliance has a grounded plug . If the plug does not fit fully into the electrical outlet contact a qualified electrician. Do not modify the plug in any way or use an adaptor.

## PARTS IDENTIFICATION



1. Handle
2. Upper Housing
3. Height Adjusting Button
4. 180-degree open button
5. Power Light
6. Ready Light
7. Thermostat Knob
8. Grill Non-stick Plate
9. Plate release button
10. Bottom Housing

## BEFORE FIRST USE

- Read all instructions carefully and keep them for future reference.
- Remove all packaging
- Clean the Cooking Plates by wiping a sponge or cloth dampened in warm water.

**DO NOT IMMERSE THE UNIT AND DO NOT RUN WATER DIRECTLY ON THE COOKING SURFACES.**

- Dry with a cloth or paper towel.
- For best results, lightly coat the cooking plates with a little cooking oil or cooking spray.

**Notice:** When your Grill Toaster is heated for the first time, it may emit slight smoke or odor. This is normal with many heating appliances. This does not affect the safety of your appliance.

## HOW TO USE

Before using the appliance for the first time, peel off any promotional materials and packaging materials, and check that the cooking plates are clean and free of dust. If necessary, wipe over with a damp cloth.

## PREPARING YOUR GRILL TOASTER

- Close the Grill Toaster and plug it into the wall outlet, **the red power light goes on. Turn the temperature knob to the desired gear, you will find the green power light goes on, indicating that the Grill Toaster has begun preheating.** At this time, you can use the Thermostat Knob to set the temperature control to your desired setting: “MIN” for light-cooked food and “MAX” for thoroughly-cooked food. At first, try setting it in max. You may later adjust it lower according to your preference. Different foods will also cook up differently.
- It will preheat for approximately 3~5 minutes to reach baking temperature, when the green light goes out, the Grill Toaster is ready for use.

## COOKING

### To Use as a Contact Grill

- Set the Grill Toaster Temperature Control to your desired setting. At first, try setting it in max. You may later adjust it lower according to your preference.
- Prepare the burgers, boneless pieces of meat, and thin cuts of meat or other foods as directed and place them onto the bottom cooking plate.
- Close the top cooking plate which has a floating hinge that is designed to evenly press down the food. The top plate must be fully lowered to achieve Grill marks on the selected foods.
- When the food is cooked use the handle to open the lid. Remove the food with the help of a plastic spatula. Never use metal tongs or a knife as these can cause damage to the non-stick coating of the cook plates.
- Use the Grill Toaster as a contact grill to cook burgers, boneless pieces of meat, and thin cuts of meat and vegetables.
- Use the Grill-Toaster as a contact grill, when you want to cook something in a short amount of time or when you are looking for a healthy method of grilling. When cooked on the contact grill, food will cook quickly because it is grilled from both sides and at the same time. The grill plates combined with the drip tray at the corner of the plate allow the grease of the ribs to drip from the meat and drain off the plates.

## To Use as Press grill

- Set the Grill Toaster Temperature Control to your desired setting.
- Prepare the sandwiches as directed and place them onto the bottom cooking plate. Always place sandwiches towards the rear of the bottom cooking plate.
- Close the top cooking plate which has a floating hinge that is designed to evenly press down the sandwich. The top plate must be fully lowered to cook sandwiches.
- Cook for about 3 to 6 minutes or until golden brown, adjusting the time to suit your own individual taste.
- When the sandwich is cooked use the handle to open the lid. Remove the sandwich with the help of a plastic spatula. Never use metal tongs or a knife as these can cause damage to the non-stick coating of the cook plates.
- Use the Grill Toaster as a Press Grill to grill sandwiches, bread and quesadillas.
- The Grill Toaster was designed with a unique handle and hinge that allows the cover to adjust to the thickness of the food. You can easily grill anything from a thinly-sliced potato to a thick sirloin steak with even results.
- When cooking more than one food item in the contact grill, it is important that the thickness of food items is consistent so the cover will close evenly on the food.

## To Use as Open Grill

- Place Grill Toaster on a clean flat surface where you intend to cook. The Grill Toaster can be positioned in a flat position.
- Upper plate/cover is level with lower plate/base. The upper and lower plates line up to create one large cooking surface.
- With your right hand on the handle, use your left to pull the 180° angle button. Push the handle back until the cover rests flat on the counter. The unit will stay in this position until you lift the handle and cover to return it to the closed position.
- Use the Grill Toaster as an open grill to cook burgers, steak, and poultry (we do not recommend cooking bone-in chicken, since it does not cook evenly on an open grill), fish, and vegetables.
- Cooking on the open grill is the most versatile method of using the Grill Toaster. In the open position, you have double the surface area for the grill.
- You have the option of cooking different types of foods separately without combining their flavors or cooking large amounts of the same type of food. The open position also accommodates different cuts of meat with varying thicknesses,

allowing you to cook each piece to your liking.

## CLEANING AND CARE

- Always unplug the Grill Toaster and allow it to cool before cleaning. The unit is easier to clean when slightly warm. There is no need to disassemble Grill Toaster for cleaning. Never immerse the Grill Toaster in water or place in a dishwasher.
- ~~The cooking plates can be cleaned in water or dishwasher.~~
- Wipe cooking plates with a soft cloth to remove food residue. For baked food-residue squeeze warm water mixed with detergent over the food residue then clean with a non-abrasive plastic scouring pad or place wet kitchen paper over the grill to moisten the food residue.
- Do not use anything abrasive material that can scratch or damage the non-stick coating.
- Do not use metal utensils to remove your foods, they can damage the non-stick surface.
- Wipe the outside of the grill toaster with a damp cloth only. Do not clean the outside with any abrasive scouring pad or steel wool, as this will damage the finish. Do not immerse in water or any other liquid.
- Do not place it in the dishwasher.
- Remove and empty the drip tray after each use and wash the tray in warm, soapy water. Avoid the use of scouring pads or harsh detergents as they may damage the surface. Rinse and dry thoroughly with a clean, soft cloth and replace.

## STORAGE

- Always unplug the Grill Toaster before storage.
- Always make sure the Grill Toaster is cool and dry before stringing.
- ~~The power cord can be wrapped around the bottom of the base for storing.~~

## Technical Data

220V-240V~, 50/60Hz, 2000W

**Caution:**  **the surfaces are liable to get hot during use**

### **IMPORTANT INFORMATION FOR CORRECT DISPOSAL OF THE PRODUCT IN ACCORDANCE WITH EC DIRECTIVE 2002/96/EC.**

At the end of its working life, the product must not be disposed of as urban waste. It must be taken to a special local authority differentiated waste collection centre or to a dealer providing this service.

Disposing of a household appliance separately avoids possible negative consequences for the environment and health, deriving from inappropriate disposal and enables the constituent materials to be recovered to obtain significant savings in energy and resources. As a reminder of the need to dispose of household appliances separately, the product is marked with a crossed-out wheeled dustbin.

