

Rohinson[®]

Instructions Manual

Electric grill R-2527 Memphis



Before using the electrical appliance, the following basic precautions should always be followed including the following:

SAFETY PRECAUTIONS

Use well away from walls and curtains.

Do not immerse the control probe in water or any other liquid.

The Table grill must only be used with the control probe provided.

Adequate ventilation or an exhaust fan is recommended

Do not leave plastic utensils in contact with appliance while cooking.

Only use appliance fully assembled with all parts correctly in place, as specified in this instruction book.

The appliance is not intended to be operated by means of an external timer or separate remote control system.

Listed below are precautions which are essential for the safe use of an electrical appliance:

Read carefully and save all the instructions provided with an appliance.

Always turn the power off at the power outlet before you insert or remove a plug. Remove by grasping the plug - do not pull on the cord.

Turn the power off and remove the plug when the appliance is not in use and before cleaning.

Do not use your appliance with an extension cord unless this cord has been checked and tested by a qualified technician or service person.

Always use your appliance from a power outlet of the voltage marked on the appliance.

This appliance is not intended for use by persons (including children) with reduced physical, sensory or mental capabilities, or lack of experience and knowledge, unless they have been given supervision or instruction concerning use of the appliance by a person responsible for their safety.

Children should be supervised to ensure that they do not play with the appliance.

The temperature of accessible surfaces may be high when the appliance is operating.

Never leave an appliance unattended while in use.

Do not use an appliance for any purpose other than its intended use.

Do not place an appliance on or near a hot gas flame, electric element or on a heated oven.

Do not place on top of any other appliance.

Do not let the power cord of an appliance hang over the edge of a table or bench top or touch any hot surface.

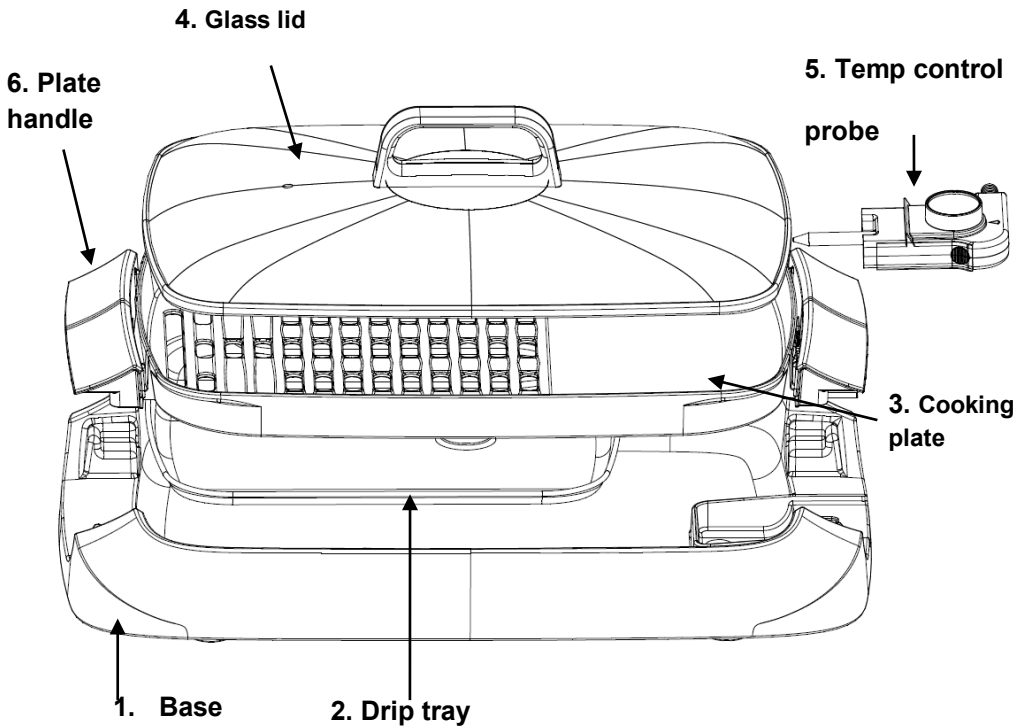
Do not operate any electrical appliance with a damaged cord or after the appliance has been damaged in any manner.

Appliances are not intended to be operated by means of an external timer or separate remote control system.

This appliance is intended to be used in household and similar applications such as: staff kitchen areas in shops, offices and other working environments; farm houses; by clients in hotels, motels and other residential type environments; bed and breakfast type environments.

Description of Parts

1. Base
2. Drip tray
3. Cooking -plate
4. Glass lid
5. Temperature control knob
6. Plate handle



1. **Cool-touch base**
Supports the BBQ plate and drip tray, durable and heat-resistant.

2. **Drip tray**
Collects fats and juices during cooking. Dishwasher-safe for easy cleaning.
3. **Cooking plate with M shape embedder heater**
Half rib & half flat plate: Ideal for barbecues at home.
With embedded M-shape heater for fast heating up to ensure excellent grilling performance. With grill bars for healthy cooking.
4. **Glass lid**
A tempered glass lid allows for easy viewing and shortened grilling time. with smokeless. It will also retain moisture to keep foods juicy and warm
5. **Temperature control probe**
The control probe is thermostatically controlled to ensure constant temperature and is removable for portability and easy cleaning.
6. **Plate Handle**
Cool touch handles fit securely into the molded base for easy carrying.

How to use your Table Grill

BEFORE FIRST USE

- Take the appliance and accessories out of the box. Remove the stickers, protective foil, or plastic from the device.
- Before using your appliance for the first time, wipe off all removable parts with a damp cloth. Never use abrasive products.
- Place the cooking plate onto the base
- Place the supplied thermostat in the connection of the thermostat.
- Put the power cable into the socket.

Note: Make sure the voltage which is indicated on the device matches the local voltage before connecting the device. Voltage 230V .

- Turn the thermostat clockwise to the highest setting and allow the device to heat for at least 5 minutes without food.
- When the device is turned on for the first time, a slight odor will occur. This is normal and ensures adequate ventilation. This fragrance is only temporary and will disappear soon.

• We advise placing a heat-resistant coating between your table and the appliance (this way you don't get burns on your table or tablecloth).

• Place the device in a well-ventilated space.

USING YOUR TABLE GRILL

• Pre-heat your appliance on the highest level for a few minutes until the temperature indicator goes off.

• The heating plate should be rubbed in with some food oil.

• Use the temperature knob on the thermostat to choose the desired temperature.

• The thermostat regulates a constant temperature. While cooking, the indicator light goes on and off, this is normal, and the temperature is always constantly adjusted. Never use sharp objects on the grill plate, this will damage the anti-stick coating.

Note 1: The preheat time will depend on the heat setting selected. If a high heat setting is selected, a longer preheat time is required.

NOTE 2: When barbecuing on high heat settings, the Table Grill will generate smoke. Selecting a lower setting will reduce smoke. Using the glass lid to cover the grill plate is recommended.

CARE AND CLEANING

• Do not leave plastic utensils in contact with the hotplate while cooking
Before cleaning turn the power off, then remove the plug from the outlet and the control probe from the socket of the Grill.

Do not use sharp objects or cut food on top of the Grill

When cleaning the non-stick coating do not use metal or other abrasive scourers. After cleaning, dry the Grill and glass lid thoroughly with a soft cloth

before storing. Always turn the power off and remove the plug from the power point before cleaning.

Remove the control probe from the socket of the Grill.

- Never pour cold water on a hot plate, this could damage the device and cause hot water to splash.

The element in the hotplate is totally sealed, so it is safe to fully immerse in water. Wash the hotplate, drip tray, and glass lid in warm soapy water using a mild household detergent and a soft washing sponge.

A bottle brush may be used to clean between the hotplate grill bars. The hotplate, drip tray, and glass lid are also dishwasher safe.

- Wipe the temperature controller with a paper towel or a soft cloth. Never immerse the control probe in water or any other liquid. It is not dishwasher safe.
- The base can be wiped over with a damp cloth or washed in warm soapy water using a mild household detergent and a soft washing sponge.

Do not place the molded base in the dishwasher. Do not use abrasives or metal scourers as they may scratch the base.

Do not place the molded base in a dishwasher.

Do not use abrasives or metal scourers as they may scratch the base.

Storage

Store the probe carefully in a safe place. Do not knock or drop it as this can damage the probe.

Always dry and assemble the BBQ Grill before storing. Ensure the drip tray and hotplate are correctly positioned. Store the assembled BBQ Grill on a flat surface on your benchtop or cupboard.

Important: Before inserting the control probe in the probe socket, ensure the interior of the socket is fully dry. To do this, wipe the interior of the socket with a dry cloth or shake out excess water vigorously.

TECHNICAL SPECIFICATIONS

Rated voltage range	220-240V
Rated frequency	~50 Hz
Rated power	2000 W

IMPORTANT INFORMATION FOR CORRECT DISPOSAL OF THE PRODUCT IN ACCORDANCE WITH EC DIRECTIVE 2002/96/EC.

At the end of its working life, the product must not be disposed of as urban waste.

It must be taken to a special local authority differentiated waste collection centre or to a dealer providing this service.

Disposing of a household appliance separately avoids possible negative consequences for the environment and health, deriving from inappropriate disposal and enables the constituent materials to be recovered to obtain significant savings in energy and resources. As a reminder of the need to dispose of household appliances separately, the product is marked with a crossed-out wheeled dustbin.

