

# *Rohnson*<sup>®</sup>

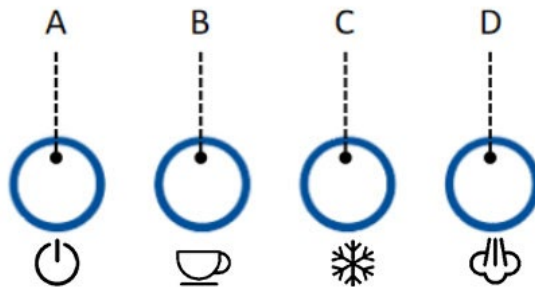
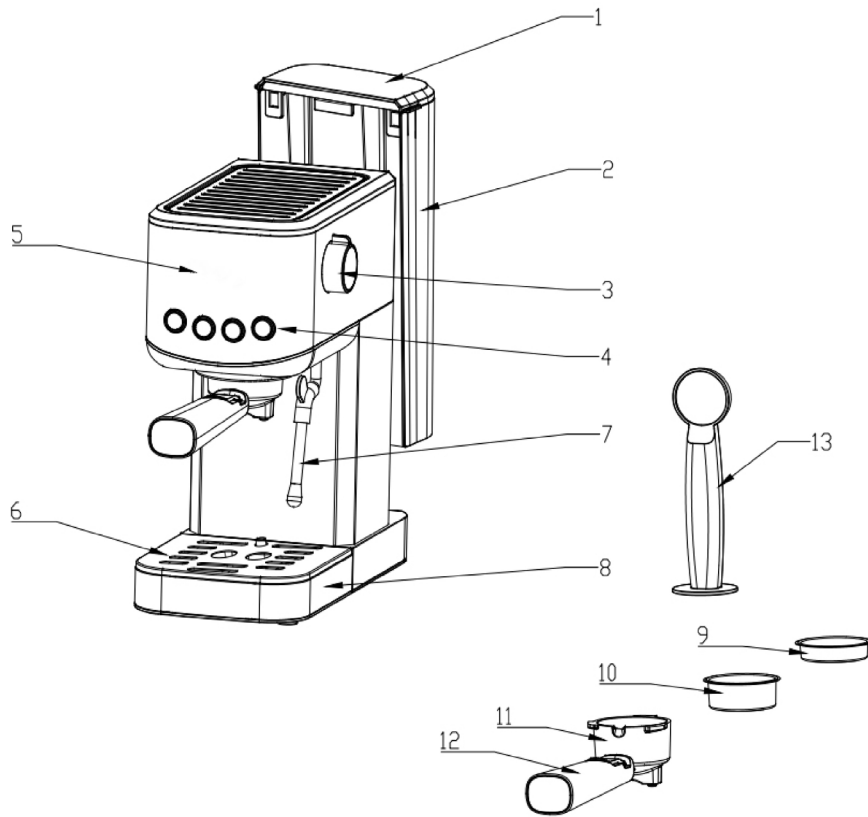
Instructions Manual

**Espresso Maker R-98013 Hot & Cold**



**Read this manual thoroughly before using and save it for future reference**

# KNOW YOUR COFFEE MAKER



- 1. Tank cover                      2. Water tank                      3. Steam knob                      4. Buttons
- 5. Control panel                      6. Cup plate                      7. Frothing nozzle                      8. Drip tray
- 9. 1-cup filter                      10. 2-cup filter                      11. Funnel
- 12. Funnel handle                      13. Measuring spoon and tamper

- A. Power switch                      B. Button in espresso
- C. Cold/cool brew coffee                      D. Steam button

## **IMPORTANT SAFEGUARDS**

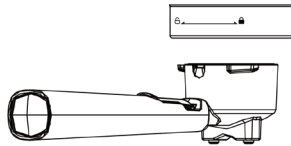
When using an electrical appliance, basic safety precautions should always be followed to reduce the risk of fire, electric shock or injury to people, including the followings:

1. Before using checks that the voltage of wall outlet corresponds to coffee maker rating plate.
2. The appliance must be earthed.
3. Close supervision is necessary when your appliance is being used near children.
4. To prevent electric shock in case of fire, do not put the power cord and plug into water or any other liquid; Do not damage, over bend or stretch the power cord. Do not place heavy objects on the cord.
5. To protect against electric shock, don't put cord, plug or machine into water or any other liquids.
6. Do not use the equipment in high temperature, high magnetic field, and damp environment. Do not put the coffee machine on a hot surface, near the fire source or other electrical appliances, such as refrigerator.
7. Please do not turn on the machine when the wire or plug is damaged, the coffee machine is out of order or damaged in any way and return to the nearest authorized service center for inspection and maintenance or contact the supplier.
8. Please use original accessories.
9. This machine is only used for making coffee, do not use it for other purposes, and put it in a dry environment.
10. Place the coffee maker on a flat surface or on a table. Do not hang the power cord on the edge of the table or counter.
11. Don't let cord hang over edge of table or countertop.
12. When operating the coffee machine, do not directly touch the hot parts on the surface.
13. Regularly clean and maintain the coffee machine parts to ensure the quality of coffee and extend the service life of the coffee machine.
14. Do not move or turn off the power when the coffee machine is working.
15. Do not operate without water.

16. To ensure safety, please read the instructions carefully and grasp the correct use method.
17. Do not wash the coffee maker or power cord in water or other liquids.
18. Household use only, don't use outdoors.
19. Before using it for the first time, please cook it twice with clean water to remove the odor.
20. Save these instructions booklet for future reference.
21. The coffee maker shall not be placed in a cabinet when in use.
22. Cleaning and user maintenance shall not be made by children without supervision.
23. This appliance can be used by children aged from 8 years and above if they have been given supervision or instruction concerning use of the appliance in a safe way and if they understand the hazards involved. Cleaning and user maintenance shall not be made by children unless they are older than 8 and supervised. Keep the appliance and its cord out of reach of children aged less than 8 years.
24. Appliances can be used by persons with reduced physical, sensory or mental capabilities or lack of experience and knowledge if they have been given supervision or instruction concerning use of the appliance in a safe way and understand the hazards involved.
25. Children shall not play with the appliance.
26. Warning: misuse may cause potential injury. The heating element surface is subject to residual heat after use.
27. HOUSEHOLD USE ONLY

## First use/cold machine state preparation

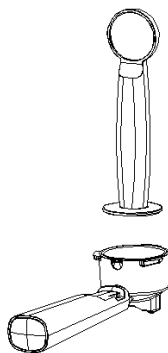
1. Pour the water into the tank and the water level should not exceed the "Max" mark in the tank, cold water is needed for Cold/Cool Brew coffee.
2. Remove the funnel from the packaging box, put the filter into the funnel and screw it into the corresponding position of the machine. The funnel handle is aligned with the "🔒" mark.



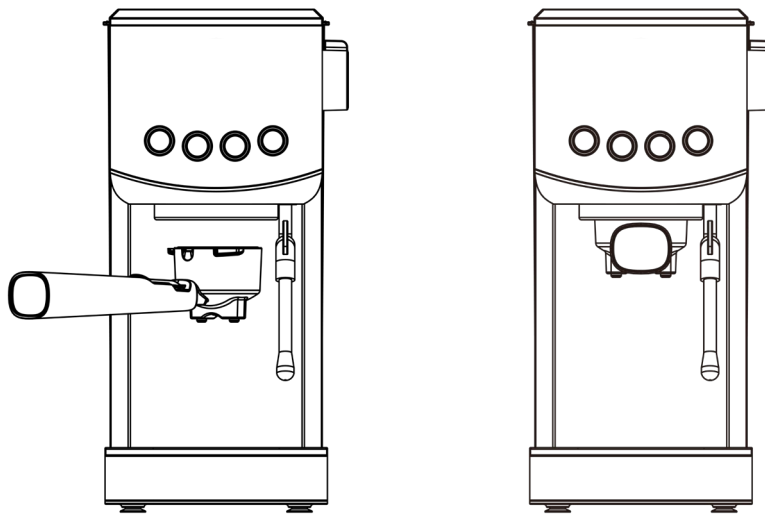
3. Plug in the power, the machine beeps and four lights flash once. Press the "🔌" button, 4 indicator lights remain on.

## Make Espresso coffee:

1. The ground coffee powder (the coffee powder should be no. 1 powder, not too coarse or too fine) can be loaded into the "metal filter" and then compressed with the powder tamper. Meanwhile, clean the coffee powder at the edge of the funnel with a brush or hand.



2. Insert the funnel and lock it tightly as indication sign, then place the coffee cup under the funnel.



3. In standby mode, press the "⏻" on/off, all indicators are always on.

4. **Hot coffee:** Press "☺" button and the indicator light blinks, signifying that the machine is warming up the heating system. When the indicator is constant on, the internal components are heated and ready to brew coffee". When reaching your desired volume, then press "☺" again to stop (the longest coffee is 60S). Press "⏻" the on/off button will be into the standby.

### **Cold/Cool brew coffee:**

After pressing the "⏻" button, 4 indicator lights remain on. And then press the "❄" button once to get the coffee start to pour. When reaching your desired volume, press the "❄" button again, the coffee pour will stop (the longest coffee is 60S). **It is suggested to use ice water which can get better taste.**

5. At the same time, adjust the position of the coffee cup to let the coffee liquid flow into the cup along the cup wall.

6. Wait for the coffee to drip, it's done!

### **Tips:**

1. Please always brew the cold/cool coffee firstly and then hot coffee.

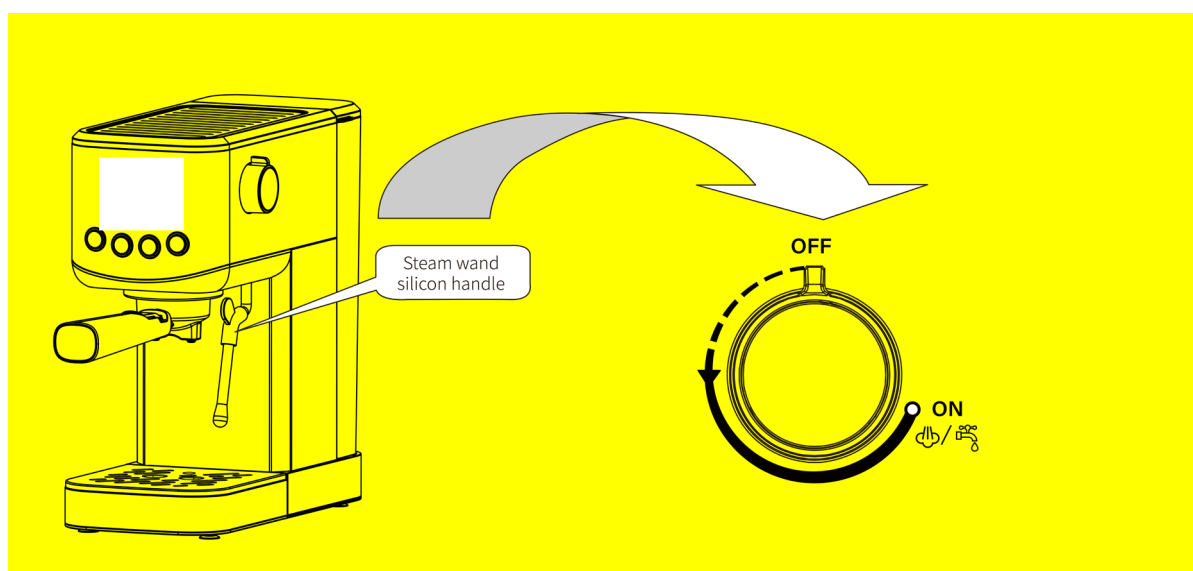
2. Please brew the cold/cool coffee until the machine cools down if you have brewed the hot coffee ahead (Place a large cup under the hot waterspout. Turn steam dial on, hot water and steam will flow from machine. **When the hot water from the steam nozzle**

forms a straight line, turn the steam dial off. Put more ice into the water tank; Now your machine is ready for cold/cool coffee brewing).

## Steam milk foam function

1. Press "⏻" and then "☞". At this time, the "☞" indicator starts flashing until the indicator turns on normally and the preheating is completed.

2. Pour the iced whole milk into the latte art cup 1/3 of the way, insert the steam nozzle 1CM into the milk surface, then slowly unscrew the "steam knob" until the steam starts to come out.



(Note: Steam size can be adjusted according to personal proficiency. Release a little water in the steam pipe before foaming)

3. When the temperature of milk reaches about 75°C and the milk foam begins to inflate, you can twist the "steam knob" to "OFF" and press "☞" to close.

## Hot water function


Press the "⏻" switch, turn the "steam knob" to "☞", and the steam pipe starts to continuously discharge hot water. Turn the "steam knob" to "OFF" stop the hot water.

## CLEANING MINERAL DEPOSITS

1. To make sure your coffee maker operating efficiently, internal piping is cleanly and the peak flavor of coffee, the coffee machine needs to be descaled, cleaned, and maintained periodically. Descaling warning will be shown when the appliance has cumulatively worked for 300 cycles. At that time, all indicators will flash and sound for 5 times, which means that the coffee machine needs to be performed descaling, and then the appliance will go back into normal condition. Descaling warning will be shown each time when you turn on the appliance if you do not cancel.
2. Fill the water tank with water and descaler to the MAX level (the scale of water and descaler is 4:1, the detail refers to the instruction of descaler. Please use "household descaler", you can use the citric acid (obtainable from chemist's or drug stores) instead of the descaler (the one hundred parts of water and three parts of citric acid).
3. Press "Espresso" button once to make coffee and make hot water for about 100ml. Then turn off the appliance and leave the descaling solution in the appliance for 5 minutes.
4. Turn on the appliance and repeat the Step 3 for 3 times.
5. Repeat the steps of 3 for 2 times with tap water in the MAX level (it is not necessary to wait for 5 minutes).
6. After finish descaling, you need to cancel the descaling warning: Simultaneously hold and press the "Espresso button", "Cold/Cool brew button" and "Steam button" for 3 seconds.

## Cooling function

When the machine makes coffee after the steam, turn off the "steam switch", because the temperature is too high, espresso and cold/cool brew of indicator light will flash, the

machine needs to be cooled. At this time, rotate the "steam knob" to "", the machine starts to pump water, and the steam pipe starts to continuously discharge water and cool down. After the indicator light flashes quickly, turn the "steam knob" to "OFF" and stop cooling down. It can make coffee when the power indicator is on.

## Cleaning and maintenance

1. Cut off the power and let the coffee machine clean before it cools completely.
2. Wipe the outside and parts of the coffee maker with a damp cloth or a clean sponge.

**Note:** Do not use alcohol or solvent cleaner, do not immerse the machine in water to clean.

3. Unscrew the coffee funnel and clean the coffee grounds in the filter.



## Troubleshooting

Problem	Reason	Method
No water/steam	<ol style="list-style-type: none"> <li>1. Whether there is water in the water tank/whether the water tank is stuck in place.</li> <li>2. Water is not added in advance in the machine.</li> <li>3. The machine is not preheated.</li> </ol>	<ol style="list-style-type: none"> <li>1. Fill the tank with water and turn on the power switch and the coffee switch.</li> <li>2. How to add water to the machine: press the hot water button, and the pump will start to add water into the machine until there is water flowing out from the steam nozzle or funnel.</li> <li>3. The machine needs to be preheated before the coffee can be produced. That is, it indicates that the coffee will turn to normal light in the flickering state.</li> </ol>
No grease	The coffee grounds are too thick/the grounds are not pressed.	Replace the coffee powder and flatten it with a press.
No steam	<ol style="list-style-type: none"> <li>1. Plug the steam outlet.</li> <li>2. Steam switch is not on, or preheating is not completed to turn on steam.</li> </ol>	<ol style="list-style-type: none"> <li>1. Use a small wire through the steam hole.</li> <li>2. Clean the steam pipe with hot water after foaming.</li> <li>3. Turn on the steam switch and wait for the preheating to complete before steam.</li> </ol>
More or less Coffee	Too much or too little coffee powder.	According to the standard amount of powder, 1 cup with 1 tablespoon to pressure, coffee powder can not be too thick or too fine. Too thick coffee can not be completely extracted, too fine affect the amount of coffee.
The milk does not foam well.	<ol style="list-style-type: none"> <li>1. Whether it is whole milk</li> <li>2. Before the steam key is warmed up, it starts to milk.</li> </ol>	<ol style="list-style-type: none"> <li>1. Use whole milk.</li> <li>2. Steam can only be started after the steam indicator light turns from flashing to constant light.</li> </ol>

No coffee, coffee light and steam light flash.	The temperature is too high after steaming.	Water cooling.
Not boil coffee.	In the steam state, the steam switch is not off.	Turn the steam switch to OFF.



**IMPORTANT INFORMATION FOR CORRECT DISPOSAL OF THE PRODUCT IN ACCORDANCE WITH EC DIRECTIVE 2012/19/EU.**

At the end of its working life, the product must not be disposed of as urban waste. It must be taken to a special local authority differentiated waste collection center or to a dealer providing this service. Disposing of a household appliance separately avoids possible negative consequences for the environment and health, deriving from inappropriate disposal and enables the constituent materials to be recovered to obtain significant savings in energy and resources. As a reminder of the need to dispose of household appliances separately, the product is marked with a crossed-out wheeled dustbin.