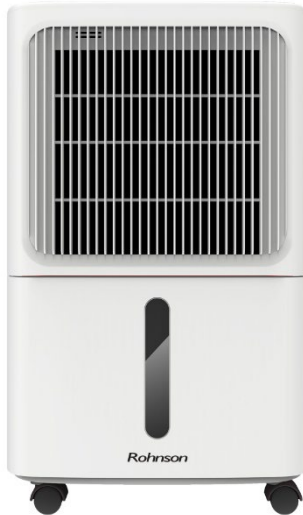


Rohnson[®]

R-91810/R-91812

Dehumidifier



INTRODUCTION

- **Before using your new dehumidifier, please carefully read through the following instructions. Keep this booklet in a safe place for future reference.**
- **After removing the packaging, make sure that the appliance is in good condition.**
- **Do not allow children to play with the packaging materials as there is risk of suffocation.**

SAFETY INFORMATION

1. Please read the operating instructions carefully before using your dehumidifier for the first time and keep them in a safe place.
2. Never immerse the appliance in water or other liquids.
3. Place the unit on a stable flat surface to avoid loud noises and vibrations.
4. Never operate the appliance if a cable or connector has been damaged, after appliance malfunction or if the appliance was dropped or otherwise damaged.
5. The appliance may only be repaired by qualified personnel, improper repair work can be a source of considerable danger for the users.
6. Pull out the power plug before transporting it and/or before cleaning.
7. Operate the appliance only at the voltage specified on the rating label.
8. The device may not be connected to a power strip with other household appliances.
9. Use the appliance only in the household and only for the purpose it was developed for.
10. Do not operate this unit near heating appliances and flammable or dangerous objects.
11. If the dehumidifier is operated in a room with gas driven devices, the room

must be aired regularly and often.

12. Please use the function of the internal drying, if the device is not used for a long time. This will prevent formation of mildew and unpleasant smell inside the unit.
13. Do not place heavy objects on the appliance.
14. Do not hang curtains or wet clothes in front of the air outlet, this will overload the device.
15. The drainage hose may not be installed outdoors at low temperatures.
16. To prevent spillage, empty the water tank before relocating the appliance.
17. Do not tip the appliance to any side as escaping water could damage the appliance.
18. If the supply cord is damaged, it must be replaced by a qualified person to avoid a hazard.
19. If you smell the smoke during start-up or if you can see the smoke, immediately disconnect the power plug and contact your dealer.
20. The unit should be installed with a minimum distance of 50cm from the wall or other obstacles.

WARNING

Do not use means to accelerate the defrosting process or to clean, other than those recommended by the manufacturer. The appliance shall be stored in a room without continuously operating ignition sources (for example: open flames, an operating gas appliance or an operating electric heater. Do not pierce or burn. Be aware that refrigerants may not contain an odour. The maximum refrigerant charge amount: 35g/40g. When the machine malfunctions, do not repair it yourself. Please contact a professional organization or a professional trained maintenance personnel or a service organization recommended by the supplier for repair!



This appliance can be used by children aged from 8 years and above and persons with reduced physical, sensory, and mental capabilities or lack of experience and knowledge if they have been given supervision or instruction concerning use of the appliance in a safe way and understand the hazards involved. Cleaning and maintenance shall not be made by children without supervision.

SERVICE & REPAIR

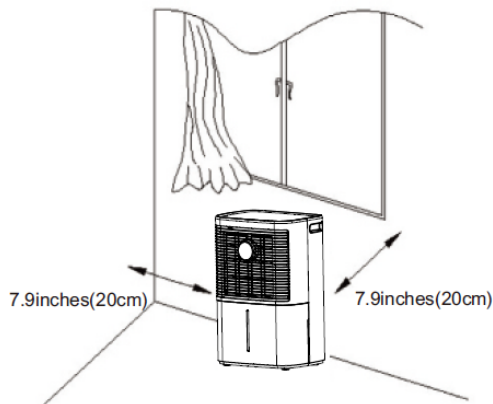
1. For service or repair under warranty, please contact the authorized service company that is mentioned on the guarantee card that accompanies the product.
2. Do not operate any product with a damaged cord or plug. Do not attempt to dismantle any part of the appliance. This should only be done at an authorized service centre.
3. The partial or total non-respect of the safety instructions in the present

instruction manual will automatically release of any type of responsibility in case of malfunction of the machine or injuries to persons or animals.

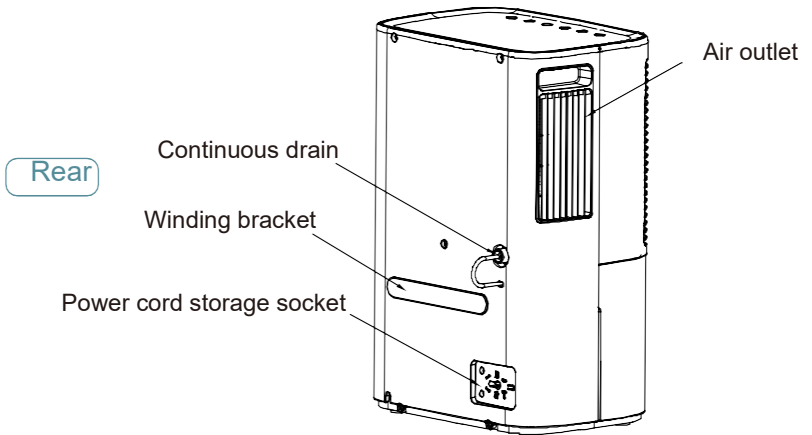
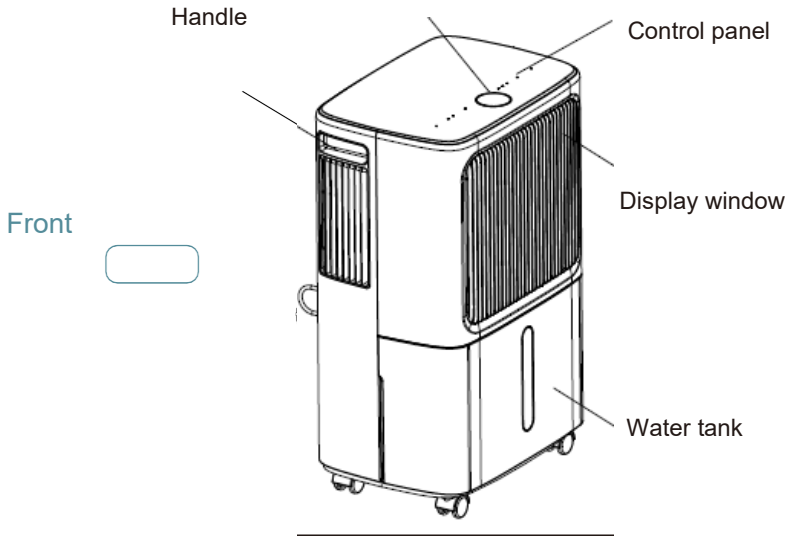
4. In case of manipulation, repairing or any modification of the machine made by unqualified persons or in case of improper use, the guarantee will be automatically cancelled.

INSTALLATION

- Empty the water tank before every use of the device.
- During the operation keep the door and windows closed to conserve energy.
- Put the device stably as the following photo instructs (at least 20cm from the front/back and the left/right and at least 50 cm from the top.)



MACHINE CONSTRUCTION

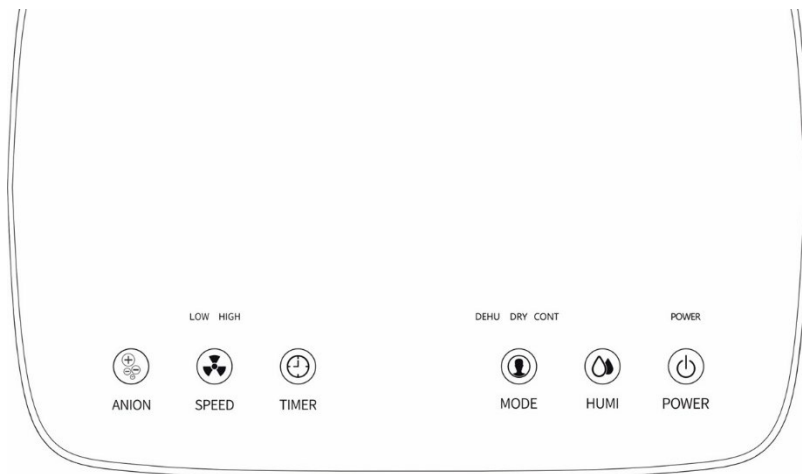


NOTE: Do not cover or block the air inlet or outlet.



NOTE: Do not cover or block the air inlet or outlet.

Operation Instruction



Key Description



Anion Sterilize button

For the switch of anion sterilize button.



Wind speed key

To switch between wind speeds



Timing key

Used to set the time on the device, the setting range is 1~24h.



Mode key

Choice of working mode.



Humidity key

For setting the humidity threshold.



Power button

To turn the machine on/off.

Function Set

Power button: This button is used to turn the machine ON/OFF with the indicator light showing "ON" or "OFF" when the corresponding mode is chosen (when the indoor humidity reaches the set value, the compressor will stop running, and the running indicator will flash at this time).

Fan speed setting: There are two types of wind speed: strong speed and a comfortable speed. When the device is turned on, press the [wind speed] key to switch between wind speeds. The humidity and wind speed cannot be set in the drying mode, and the strong wind speed is automatically selected.

Mode setting: The device has three working modes: dehumidifier mode, drying mode, continuous dehumidifier mode. In the power-on state, press the [Mode] button and the device will cycle through the dehumidifier, drying, and continuous dehumidifier modes.

The working mode can be switched according to feature preference:

- Dehumidification mode: humidity and wind speed can be set.
- Drying mode: Humidity and wind speed cannot be set.
- Continuous dehumidification mode: the humidity cannot be set, but the wind speed can be set.

Humidity setting: In dehumidification mode (other modes are invalid), press the [Humidity] key once to enter the set humidity viewing state; " **88** " flashes to display the set humidity value. During the flashing period of " **88** ", press [Humidity] to set the humidity value.

The setting range is 30-80% RH, which can be set cyclically. Press the [Humidity] key once, and the set humidity value will increase by 5% RH. After 5 seconds of no key operation or pressing other keys, it will automatically confirm and exit, and **88** displays the current ambient humidity. When the set humidity value is 30RH%, it is in the continuous dehumidifier state.

Anion air clean set up: When the machine is activity. Press the Anion button to start air cleaning. The notice light above the Anion button will on. Press once again, the Anion button the function will turn off. Also, the notice light will turn off.

Power-down memory function:If the equipment is suddenly powered off during normal operation, once it is turned back on, it will automatically return to the settings before the power off.

Timing settings: If the timer is set when the device is off, the timer will be set to turn on; if it is set when the device is on, the timer will be set to turn off the device.

Press the "timing key" to set the timer. Each time you press it, the timer increases by 1h. The setting range is 1~24h, which can be set cyclically. Press and hold the "timing key" for a few seconds to continuously adjust the timer; when the timer is 00, it is invalid.

When the timer is valid, the indicator light " " above the timing button will be on. Press the "timing button" once, the display screen can show the remaining time on the timer, and the current humidity value will be automatically displayed after a few seconds.

Water full protection: When the water tank is full, the machine stops, and the water full indicator light " " starts flashing, When the water tank is emptied, the water full indicator light " " will turn off. The machine can then be restarted.

Notice: 1. The water tank needs to be properly filled, otherwise it will lead to detection of a full tank.

2. When the machine detects that the water is full during normal dehumidification, the compressor stops working, and the fan continues to run for 3 minutes and then stops, at which time it prompts that the water is full.

Display status: After the device is powered on, in standby (shutdown) mode, only the power light is on.

Timer status indicator is on "o": When the timer is valid, it will be on for a long time, it will flash when setting and viewing, and it will be off when it is invalid.

Comfort indicator "o": When the wind speed is set to comfortable wind, it will be on, otherwise it will be off.

Strong indicator light "o": When the wind speed is set to strong wind, it will be on, otherwise it will be off.

Dehumidifier mode indicator "o": When the dehumidifier mode is selected and it is running, this indicator will be on, otherwise it will be off.

Drying mode indicator "o": When the drying mode is selected, it will be on, otherwise it will be off.

Continuous dehumidification mode indicator "o": When the continuous dehumidification working mode is selected, it will be on, otherwise it will be off. When the ambient humidity reaches the set humidity and stops, the "yang" digital tube flashes.

Water full indicator "o": flashes when the water tank is full, otherwise off.

During normal operation, "88" displays the current ambient humidity value.

Precautions

The dehumidifier should not operate at a humidity setting higher than the ambient humidity. When the water full indicator is on, pour out the water in the water tank. Then put the emptied water tank back to its original position, and the machine can continue to be used. When the machine stops, wait at least 3 minutes before restarting to avoid damage to the compressor.

The usable ambient temperature range is 5~35 degrees.

When the dehumidifier is operating, the operating compressor will generate heat, which will make the room temperature higher, which is a normal phenomenon.

When you need to move this product, please lift it facing the front of the product.

Drain indication

Drained water can be stored in a tank or externally drained using a hose.

Use of the water tank

The water dehumidified by this machine will automatically flow into the water tank. When the water is full, the indicator light will be on. When the water tank is full, the whole machine will stop running. Please empty the water in the water tank.

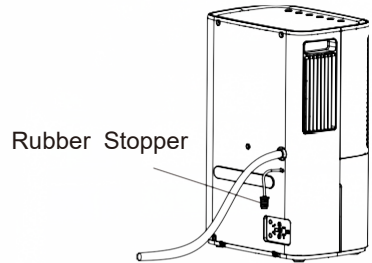
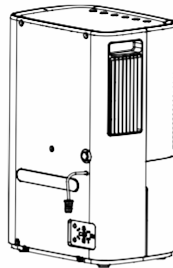
As shown in the picture, take out the water tank, and then pour out the water.

Put the water tank back into its original position.

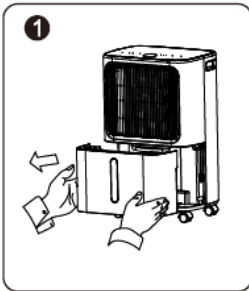
Press the power button to start the machine.

■ Continuous drainage

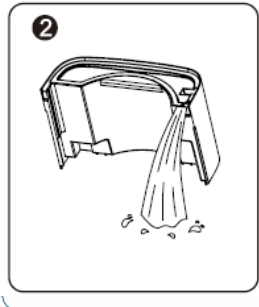
When you want to use this function, please unplug the power supply, pull out the rubber stopper, insert the water pipe into the continuous drain outlet, connect the power supply and start the machine. The water outlet of the water pipe should be more than 10cm lower than the continuous drainage outlet, and the water pipe should not be bent to ensure smooth drainage.



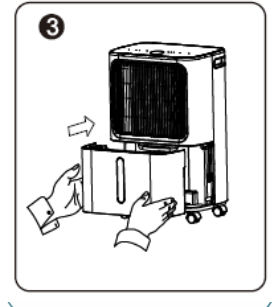
■ Empty the water tank



Hold the grooves on the left and right sides of the water tank with both hands at the same time, gently pull out the water tank. Please pay attention to keeping the water tank stable to avoid spillage.



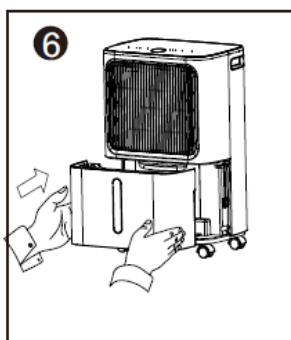
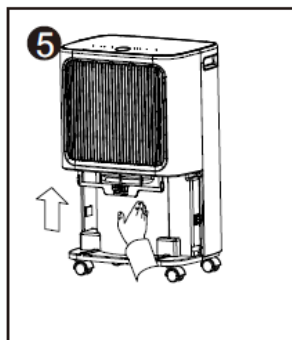
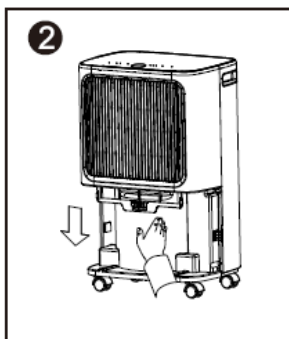
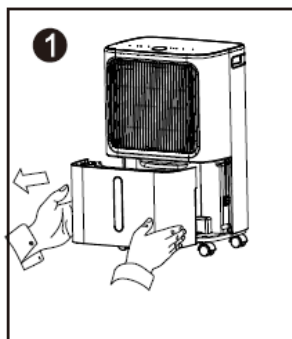
Invert the tank to empty the water.



Put the tank back in place.

Filter cleaning

- ▶ Take out the water tank.
- ▶ Hold the filter screen as shown in the image and pull down the filter screen.
- ▶ Clean the filter: Use a vacuum cleaner to gently absorb the dust on the surface of the filter. If the filter is very dirty, wipe it with warm water and a mild detergent and dry it completely.
- ▶ As shown in the picture, insert the filter from bottom to top and insert it into the filter slot in the front shell.
- ▶ Reinstall the water tank.



Fault Phenomenon

Fault Phenomenon	Cause Analysis	Approach
Machine not running	Is the power cord connected properly?	Connect the plug into the socket.
	Is the power cord connected properly?	Drain the water from the tank and put it back in the correct position on the body.
	Is the room temperature above 32°C or below 5°C?	Because this product is not suitable for extreme environments, the machine will automatically protect and turn off, which is a normal phenomenon.
	Is the room temperature between 20°C above 32°C?	The machine will cool automatically, which is normal.
Poor dehumidification efficiency	Poor air flow?	There should be about 20cm of space around the product.
	Is the ambient humidity too low?	A normal phenomenon.
Loud noise when running	Air intake blocked?	Clean any dirt from the air inlet and outlet of the product.
	Is the machine placed at an angle?	Move the machine to a level surface.
The drain hose was properly connected and Water leakage or the water still drained to the tank.	Connected to the hose without pulling out the gray rubber plug of the water outlet.	Pull out the grey rubber plug of the water outlet before connecting the water pipe (please refer to the schematic diagram of continuous drainage function page in the manual for details)
	The pipe is not connected properly, the other end of the pipe is blocked and the water cannot be discharged properly.	Ensure that both ends of the water pipe are unimpeded after connecting the water pipe. Keeping the water pipe in an inclined state is more conducive to gravity drainage.
The dehumidifier is started but doesn't work.	The tank is full or not installed properly.	Empty the tank and reinstall it in place.
	The sensor float in the tank got stuck and didn't reposition properly.	Push the float down to the lowest position for the correct float position.
Humidity always shows 25%RH (there is a big difference from the actual humidity)	The dehumidifier is in the defrosting process, it is normal the compressor ceases while defrosting process.	The defrosting process may take 15 to 20 minutes. When the defrosting is complete, the dehumidifier automatically starts to continue the dehumidification process.
	Humidity sensor failure?	Set the humidity to 30%RH, the dehumidifier can still continue to work and can be used normally. Repair and replace the humidity sensor.

Humidity always shows "99%RH"(there is a big difference from the actual humidity)

1. Water on the surface of humidity sensor?

2. Humidity sensor failure?

Please let the dehumidifier keeps working for a period of time, after the water on the surface of the humidity sensor is removed it will return to normal.

Repair and replace the humidity sensor.

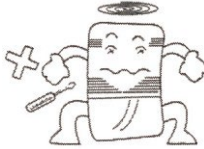
Notice:

Please make sure that the air outlet is open before starting the machine, otherwise the machine will overheat. Never stop the machine directly by unplugging the power cord. If the problem persists, please shut down and unplug the power plug, and send it back to our company for repair.

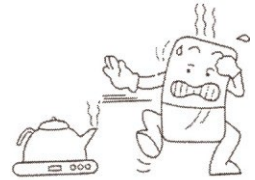
SAFETY PRECAUTIONS



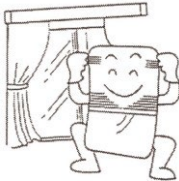
1. During usage, Do not place the machine on soft and uneven ground to avoid vibration or movement.



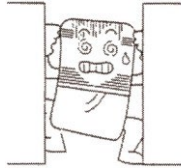
2. Do not use thin rods or hard objects to insert into the fuselage to avoid malfunction and danger.



3. When using, please keep the machine away from heat sources such as heaters and electric kettles to save electricity.



4. When using, please close all doors and windows to achieve the best dehumidifier effect.



5. Do not place items at the front and back of the machine. If ventilation is blocked, the dehumidifier's effect will be diminished.



6. In case of power failure or long-term non-use, please unplug the power cord.



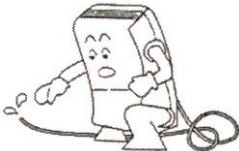
7. When cleaning the fuselage, gently wipe it with a damp cloth. Do not spray water directly.



8. Do not place any objects on the fuselage.



9. Please clean the filter once every two weeks (do not use hot water above 40 degrees, alcohol, gasoline or any other fluid).



10. During continuous drainage, the drainage pipe must be placed horizontally, and must not be uneven and entangled.



11. After the filter is cleaned, please do not place it in direct sunlight to dry as this may cause deformation.



12. Before moving or transporting the machine, please pour out the accumulated water in the water tank.



IMPORTANT INFORMATION FOR CORRECT DISPOSAL OF THE PRODUCT IN ACCORDANCE WITH EC DIRECTIVE 2002/96/EC.

At the end of its working life, the product must not be disposed of as urban waste. It must be taken to a special local authority differentiated waste collection centre or to a dealer providing this service.

Disposing of a household appliance separately avoids possible negative consequences for the environment and health, deriving from inappropriate disposal and enables the constituent materials to be recovered to obtain significant savings in energy and resources. As a reminder of the need to dispose of household appliances separately, the product is marked with a crossed-out wheeled dustbin.