

Rohinson®
Instructions Manual

Kettle R-7645 “Double Wall - Safe Touch”



Read this booklet thoroughly before using it and save it for future reference

IMPORTANT SAFETY PRECAUTIONS

1. Read all instructions before using.
2. Before connecting the kettle to the power supply, check that the voltage indicated on the appliance (underside of the kettle and base) corresponds with the voltage in your home. If this is not the case, contact your dealer and do not use the kettle.
3. The attached base can not be used for other than intended use.
4. Do not operate the appliance without load to avoid damaging the heat elements.
5. Unplug from the outlet when not in use.
6. Do not let the cord hang over the edge of table counter or touch hot surface.
7. Do not place on or near a hot gas or electric burner or in a heated oven.
8. Should you accidentally allow the kettle to operate without water, the boil-dry protection will automatically switch it off. If this should occur, allow the kettle to cool before filling with cold water and re-boiling.
9. Ensure that kettle is used on a firm and flat surface where the children can't touch, this can prevent from overturning the kettle to damage the person or kettle.
10. To protect against a fire, electric shock or personal injury, do not immerse cord, electric plugs or kettle in water or other liquids.
11. Always take care to pour boiling water slowly and carefully without tipping the kettle too fast.
12. Be careful when opening the lid for refilling when the kettle is hot.
13. Close supervision is necessary when any appliance is used by or near children.
14. Use the handle or the button.

15. Extreme caution must be used when moving an appliance containing hot water.
16. The appliance is not a toy. Do not let the children play it.
17. The use of attachments that are not recommended by the appliance manufacturer may result in fire, electric shock or personal injury.
18. While boiling water, avoid to contacting steam from the spout when water is boiling or just after it has switched off. Do not be anxious to uncover the lid.
19. Unplug from outlet when not in use and before cleaning;
20. Always ensure the lid is closed and do not lift it while the water is boiling. Scalding may occur if the lid is removed during the brewing cycles.
21. If the supply cord is damaged, it must be replaced by the manufacturer or its service agent or a similarly qualified person in order to avoid a hazard.
22. Do not use the appliance for other than intended use.
23. Do not move the unit while the kettle is switched on.
24. The kettle can only use with the stand provided.
25. If the kettle is overfilled, boiling water may be ejected.
26. Do not use the kettle outdoors.
27. This appliance can be used by children aged from 8 years and above if they have been given supervision or instruction concerning use of the appliance in a safe way and if they understand the hazards involved. Cleaning and user maintenance shall not be made by children unless they are older than 8 and supervised. Keep the appliance and its cord out of reach of children aged less than 8 years.
28. Children should be supervised to ensure that they do not play with the appliance.
29. Appliances can be used by persons with reduced physical, sensory or mental capabilities or lack of experience and knowledge if they have been given supervision or instruction concerning use of the appliance in a safe way and understand the hazards involved.
30. This appliance is intended to be used in household and similar applications such as:

- Staff kitchen areas in shops, offices and other working environments;
- Farm houses;

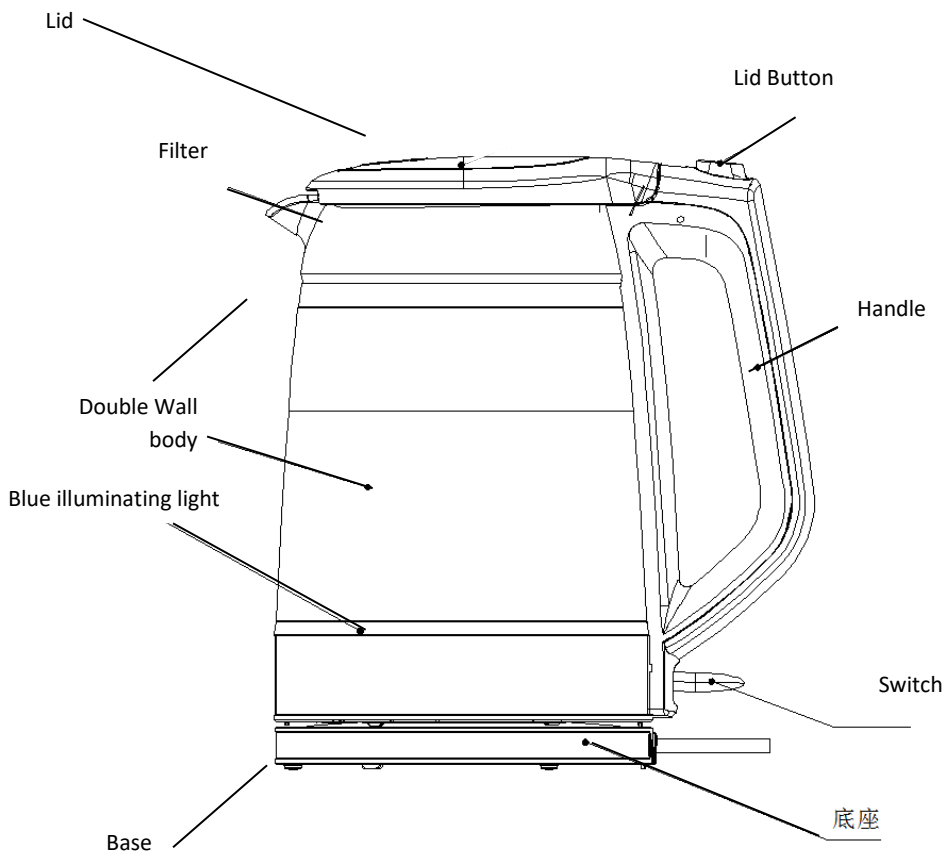
31. By clients in hotels, motels and other residential type environments;

32. Bed and breakfast type environments.

Save these instructions.

This appliance has been incorporated with a grounded plug. Please ensure the wall outlet in your house is well earthed.

KNOW YOUR ELECTRIC KETTLE



BEFORE USING YOUR KETTLE

If you are using the kettle for the first time, it is recommended that you clean your kettle before use by boiling a full kettle of water twice and then discarding the water.

USING YOUR ELECTRIC KETTLE

1. To fill water into the kettle, remove it from the power base, and open the lid by pressing down the lid button, fill with the desired amount of water to the kettle. Always fill the kettle between the minimum (0.5L) and maximum (1.7L) marks. Too little water will result in the kettle switching off before the water has boiled.

NOTE: Do not fill the water over the maximum level, as water may spill out of the spout when boiling. Ensure that the lid is firmly in place before connecting the power cord to the outlet.

2. Close the lid. Position the kettle on the power base in place. Make sure the kettle contacts with the power base completely.

NOTE: Ensure the lid is firmly closed. The kettle will spout if the lid is left open.

NOTE: Do not pull the lid when you are pressing the lid button.

3. Lift the kettle from the power base and then pour the water.

NOTE: Operate carefully when pouring the water from your kettle as boiling water may result in scalding, besides, don't open the lid while the water in the kettle is hot.

4. The kettle may be stored on the power base when not in use.

NOTE: Ensure the power supply is turned off when the kettle is not in use.

BOIL-DRY PROTECTION

Should you accidentally allow the kettle to operate without water, the boil-dry protection will automatically switch it off. If this occurs, allow the kettle to cool before filling it with cold water and re-boiling.

CLEANING AND MAINTENANCE

Always disconnect the appliance from the power outlet and leave it to cool down completely before cleaning.

Never immerse the kettle or cord in any liquid, or allow moisture to contact these parts.

REMOVAL OF MINERAL DEPOSITS

Mineral deposits in tap water may cause the kettle interior to discolor. To remove this build-up, use a non-toxic Liquid Descaler.

Alternatively:

1. Fill the kettle with 3 cups of white vinegar and the remainder of the water and allow to stand overnight. Do not boil.
2. Empty the solution from the kettle. Any stains remaining inside the spout can be removed by rubbing it with a damp cloth. Fill the kettle with clean water, bring it to a boil, and then discard the water. Repeat and the kettle will then be ready to use.

Cleaning external housing

Wipe the external housing with a wild and damp cloth or cleaner.

CAUTION: Do not use chemical, steel, wooden, or abrasive cleaners to clean the outside of the kettle.

Cleaning external housing

Wipe the external housing with a wild and damp cloth.

CAUTION: Do not use chemical, steel, wooden, or abrasive cleaners to clean the outside of the kettle.

Cleaning the filter

Remember to clean the filter with a wild and damp cloth at intervals.

Storage

When not in use or storage, the power cord may be wound around the cord storage under the kettle base.

TECHNICAL SPECIFICATIONS

Rated voltage range	220-240 V
Rated frequency	50-60 Hz
Rated power	2200 W
Capacity	1,7L

IMPORTANT INFORMATION FOR CORRECT DISPOSAL OF THE PRODUCT BY EC DIRECTIVE 2002/96/EC.

At the end of its working life, the product must not be disposed of as urban waste.

It must be taken to a special local authority differentiated waste collection center or a dealer providing this service.

Disposing of a household appliance separately avoids possible negative consequences for the environment and health, deriving from inappropriate disposal and enabling the constituent materials to be recovered to obtain significant savings in energy and resources. As a reminder of the need to dispose of household appliances separately, the product is marked with a crossed-out wheeled dustbin.

