

Rohinson[®]

Instructions Manual

Sandwich maker R-2116



**For your safety and continued enjoyment of this product
always read the instruction book carefully before using**

IMPORTANT SAFEGUARDS

• READ ALL INSTRUCTIONS

- Make sure the voltage in your outlet is the same as the voltage indicated on the appliance's rating label.
- Always turn the power off at the power outlet before you insert or remove a plug. Remove by grasping the plug – do not pull on the cord.
- Turn the power off and remove the plug when the appliance is not in use and before cleaning.
- Do not use your appliance with an extension cord unless this cord has been checked and tested by a qualified technician or service person.
- Close supervision is necessary when your appliance is being used by children or infirm persons.
- Young children should be supervised to ensure that they do not play with the appliance.
- Never leave an appliance unattended while in use.
- Do not use an appliance for any purpose other than its intended use.
- Do not place an appliance on or near a hot gas flame, electric element or any other appliance.
- Do not let the power cord of an appliance hang over the edge of a table or bench top or touch any hot surfaces.
- Do not operate any appliance with a damaged has malfunctioned or has been damaged in any manner. In order to avoid the risk of an electric shock, never try to repair the appliance yourself. Take it to an authorized service station for examination and repair.
- Do not use outdoors or for commercial purposes.
- Unplug the unit when finished using.
- Do not immerse the appliance in water or any other liquid.

BEFORE THE FIRST USE

Remove all packaging materials.

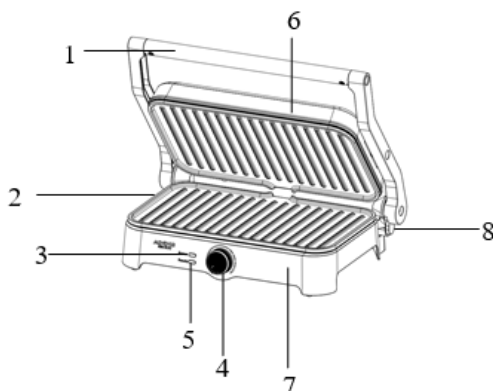
Clean the baking plates with a damp cloth or sponge.

Slightly grease the baking plates with a little cooking oil.

Take care to prevent water from running into the appliance.

SAVE THESE INSTRUCTIONS

PARTS IDENTIFICATION



1. Handle
2. Non-stick Plate
3. Power Light (Red)
4. Knob
5. Ready Light (Green)
6. Upper Housing
7. Bottom Housing
8. 180° Button

BEFORE FIRST USE

Before using the appliance for the first time, peel off any promotional materials and packaging materials, and check that the cooking plates are clean and free of dust. If necessary, wipe over with a damp cloth. For best results, pour a teaspoon of vegetable oil on to the non-stick plates. Spread over with an absorbent kitchen towel and wipe off any excess oil.

When your appliance is heated for the first time, it may emit slight smoke or odor. This is normal with many heating appliances. This does not affect the safety of your appliance.

HOW TO USE

- Set the Temperature Control to your desired setting for cooking lighter colored food or darker colored food. At first, try a setting in the max. You may later adjust it lower or higher according to your preference.
- Inset the pin plug into the power outlet, you will notice that the power indicator will go on, indicating that the appliance has begun preheating.

- Allow your appliance to pre-heat until the ready indicator goes off. This indicates that the cooking plates have reached the correct temperature for cooking.
- For best results, lightly spray the cooking plates with a cooking oil spray before using. This will assist in the removal of food residue..
- Gently close the lid, Do not slam the lid down as it may cause the mixture to run off the cooking plates.
- Allow to cook for approximately 3- 6 minutes or until golden.
- To remove the food, always use a plastic or wooden spatula. Never use a sharp object or metal, as this will damage the non-stick surface of cooking plates.

CLEANING AND CARE

- Always turn off the power and remove the plug after and before cleaning.
- The cooking plates are coated with non-stick cooking surface, therefore little cleaning is required. Simply wipe cooking plates over with a damp cloth.
- Do not immerse the appliance in water or other liquid.
- Do not use abrasive scouring pads, powders or cleaners.
- Do not place in the dishwasher.
- Before next use, lightly grease the cooking plates for easy removal of cooked food.

STORAGE

- Always unplug the appliance before storage.
- Always make sure the appliance is cool and dry before storage.
- To minimize storage space in your kitchen, the appliance can be stored vertically.

TECHNICAL SPECIFICATION

Voltage: 220-240V~ 50/60Hz Power: 1500W

IMPORTANT INFORMATION FOR CORRECT DISPOSAL OF THE PRODUCT IN ACCORDANCE WITH EC DIRECTIVE 2002/96/EC.

At the end of its working life, the product must not be disposed of as urban waste.

It must be taken to a special local authority differentiated waste collection center or to a dealer providing this service.

Disposing of a household appliance separately avoids possible negative consequences for the environment and health, deriving from inappropriate disposal and enables the constituent materials to be recovered to obtain significant savings in energy and resources. As a reminder of the need to dispose of household appliances separately, the product is marked with a crossed-out wheeled dustbin.

